

TYFON[®] MKT 75/-

High-power whistles according to IMO

for vessels up to 75 m in length


TYPE MKT 75/260

TYPE MKT 75/440

General Information

TYFON series MKT 75/- are high-power whistles for vessels up to 75m in length according to IMO and are approved in almost everywhere. TYFON has the well-known penetrating sound which is especially made to meet the IMO regulations dealing with the composition of signal tones for an effective penetration on board.

Appropriately Positioned Whistles

Also important are, naturally, the possibilities for an allround sound radiation without obstacles disturbing the sound waves. Even a large deck surface can unfortunately affect the sound propagation similarly to the more well-known optical refraction for light waves.

IMO recommends a careful choice when positioning whistles on board; not only by the reasons mentioned above but also in order to fulfil the safety demands as to the permissible sound level at the listening post on board ship.

The best solution is a combined whistle system with a frequency difference of at least 10 Hz which must be arranged in accordance with the IMO regulations.

Materials etc.

The materials for all parts of the TYFON MKT 75/- series are chosen to withstand the highest environmental demands as to corrosion, vibration etc. Electrically operated and lanyard or hand operated valves are available.

Technical Data				
Frequencies	260 Hz	350 Hz	440 Hz	660 Hz
*Sound Pressure Level at 1m.	> 130	> 130	> 130	> 130
Air Consumption	8-10 l/s	8-10 l/s	8-10 l/s	8-10 l/s
Weight (approx.)	2.85 kg	1.95 kg	1.85 kg	1.60 kg

*Limit for vessels 20 to 75 meters l.o.a.
130dB 1/3 octaveband according to IMO Colreg 72.

TYFON[®] MKT 75/260-350-440-660 dimension and part numbers

TYFON MKT 75/350-440-660

Easy to install

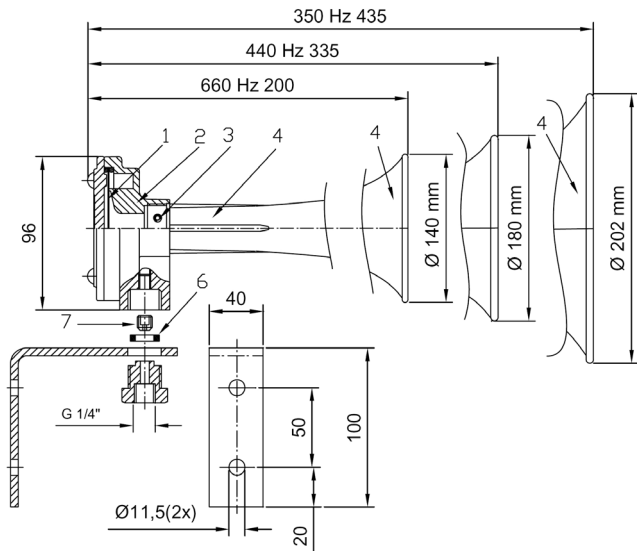
The sound emitter is made for a working pressure of 0,3–0,45 MPa directly at the inlet to the diaphragm housing.

Important

To attain a working pressure suitable for TYFON MKT 75/- a choke plug is mounted into the TYFON (part 7). Therefore, state in your order the approximate prevailing pipeline pressure.

Note:

- A filter must be fitted at the inlet of the operating valve for separation of dirt particles.
 - It is important that the pipe line is blown clean before connecting to the sound emitter.
 - A little oil or moisture in the air is harmless for the function. Water pockets and sharp bends, however must be avoided.
- * See our separate leaflets for OPERATING VALVE type TV 88/89.



Part numbers

No.	Name	Material	Ref. No.
1	Diaphragm compl.	Titan /nitrile	21758003
2	Housing (350,440 and 660)	Brass	21754008
2	Housing (260)	Thermoplastic	32171318
3	Locking Screw	Stainless Steel	20801761
4	Horn 660 Hz	Thermoplastic	32170874
4	Horn 440 Hz	Thermoplastic	32170885
4	Horn 350 Hz	Thermoplastic	32170867
4	Horn 260 Hz	Thermoplastic	39880562
5	Bushing	Rubber	32170256
6	Packing	Rubber	37690947

TYFON MKT 75/260

Parts can be obtained from Kockum Sonics or their agents. When ordering, please state reference number and part name.

