



General Information

- Light, rigid and powerful signalling apparatus for different applications e.g. aboard ships, in industry, for military applications and for heavy vehicles etc.
- Material: Plastic resin of high impact and vibration strength, certain parts glass-fibre reinforced.
- Entirely maintenance-free. The diaphragm never wears out.
- Sound intensity can be adjusted by a choke screw and a sordine.

Technical Data

Frequency:

Basic note 400 Hz, completed by power and noise penetrating harmonics.

Sound level:

At normal adjustment setting, approx. 5 lit/sec.

136 dB(A) at 1 m

120 dB(A) at 6 m

Can be reduced 15 dB with a choke screw if required. For further reduction, a sordine type TG 5 can be applied.

Working pressure:

In housing (after choke screw) 0,2–0,5 MPa*

In inlet 0,2–1,2 MPa*

Note: When supply pressure is more than 0,7 MPa, the choke must be adjusted so as to attain a clear tone without straining the apparatus.

Weight:

TYFON only – 0,34 kg

Solenoid Valve TV 88

Standard voltage for Solenoid Valve TV 88:

DC: 24V 115V, 230V AC: 115V 230V



TYFON KTV 75/400

Complete apparatus with Bracket, Solenoid Valve TV 88 and Filter TP 8

The valve is delivered with filter and complete fittings for plastic tubing on the outlet side and for copper piping with O.D. 8mm on the inlet side.

The valve should **not** be placed outdoors without protective cover.

The short connection between valve and signal apparatus should preferably be of flexible material. (Rubber hose or plastic tubing). For distinct code signals, the pipe line must not be longer than 6m between TYFON and Valve.

TYFON KT 75/400 can also be driven by halogencompound gas particularly together with fire extinguishing plants.

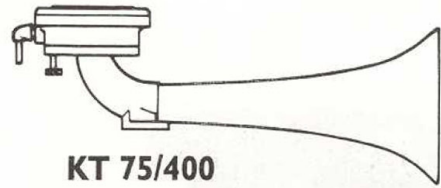
Note: Blow the pipe line thoroughly clean with compressed air **before** connecting to signal apparatus or valve.

* overpressure

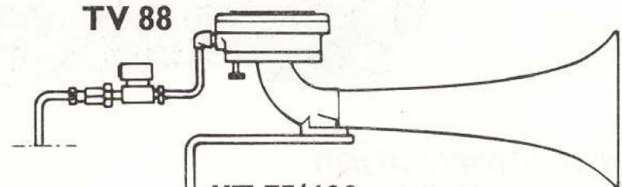
Units, Dimensions and Mounting Alternatives

Optional Items: Mounting, Operation

Bracket of stainless steel (part no. 8)
 Metal fitting P6-4 of brass for plastic tubing 8/6mm.
 (part no. 6).
 Air filter TP 8.
 Solenoid valve TV 88 with filter for remote electric
 operation.



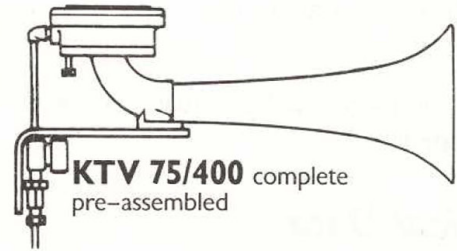
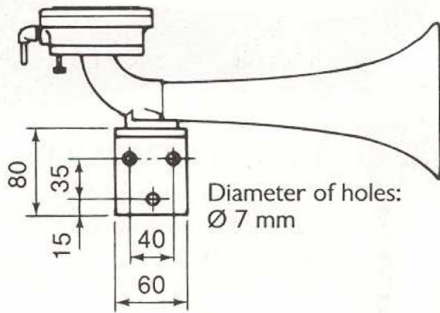
KT 75/400



KT 75/400 with Bracket
 and Solenoid Valve TV 88
 mounted separately

Units			
No.	Name	Material	Ref. no.
1	Cover	Plastic	32171136
2	Diaphragm KM 75 BT	Titanium/ nitrile rubber	39880291
3	Adjusting screw	Brass	32170611
4	Screw MKFS 6 x 16	Stainless steel	32620246
5	Screw MKFS 6 x 25	Stainless steel	20801333
6	Angle fitting P6-4-2 1/8"	Brass	32320013
7	Nut	Brass	32170475
8	Bracket	Stainless steel	39880123

Units can be obtained from Kockum Sonics or their agents. When ordering, please, give reference number and part name.



KTV 75/400 complete
 pre-assembled

